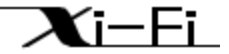
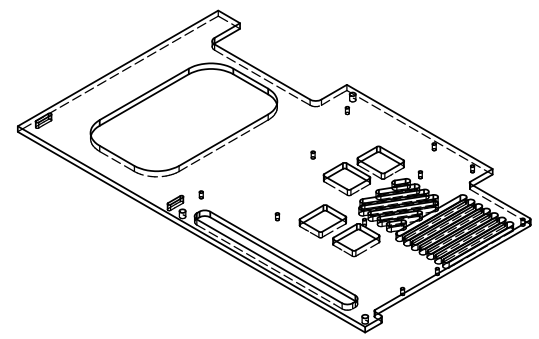
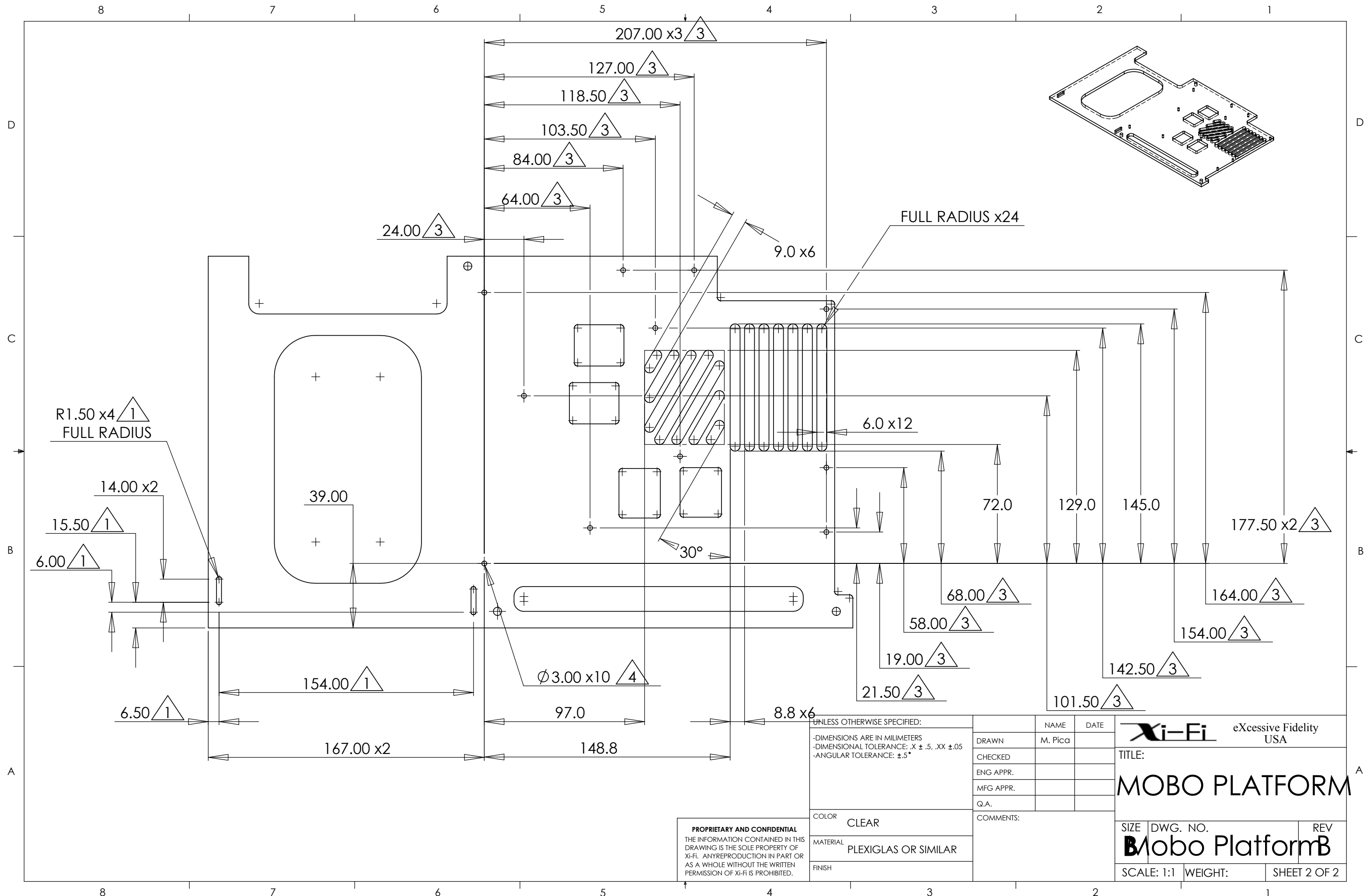


- NOTES**
- 4. HOLE SIZE SHOULD ACOMIDATE MAINBOARD STAND-OFFS.
  - 3. HOLE SPACING SHOULD ACOMIDATE XBOX MAINBOARD STAND-OFF POSITIONS.
  - 2. SPACING AND HOLE SIZE SHOUL MATCH BOTTOM PLATE AND STANDS.
  - 1. SPACING AND SLOT SIZE SHOULD ACOMIDATE STANDARD XBOX DVD ROM DRIVE MOUNTING HOLES.

**PROPRIETARY AND CONFIDENTIAL**  
 THE INFORMATION CONTAINED IN THIS DRAWING IS THE SOLE PROPERTY OF XI-FI. ANYREPRODUCTION IN PART OR AS A WHOLE WITHOUT THE WRITTEN PERMISSION OF XI-FI IS PROHIBITED.

UNLESS OTHERWISE SPECIFIED: -DIMENSIONS ARE IN MILIMETERS -DIMENSIONAL TOLERANCE: .X ± .5, .XX ±.05 -ANGULAR TOLERANCE: ±.5°		NAME	DATE	 eXcessive Fidelity USA
DRAWN		M. Pica		
CHECKED				TITLE:
ENG APPR.				<b>MOBO PLATFORM</b>
MFG APPR.				SIZE DWG. NO. REV
Q.A.				<b>Mobo PlatformB</b>
COLOR CLEAR		COMMENTS:		SCALE: 1:1 WEIGHT: SHEET 1 OF 2
MATERIAL PLEXIGLAS OR SIMILAR				
FINISH				



UNLESS OTHERWISE SPECIFIED:  
 -DIMENSIONS ARE IN MILLIMETERS  
 -DIMENSIONAL TOLERANCE: .X ± .5, .XX ±.05  
 -ANGULAR TOLERANCE: ±5°

**PROPRIETARY AND CONFIDENTIAL**  
 THE INFORMATION CONTAINED IN THIS DRAWING IS THE SOLE PROPERTY OF XI-FI. ANY REPRODUCTION IN PART OR AS A WHOLE WITHOUT THE WRITTEN PERMISSION OF XI-FI IS PROHIBITED.

COLOR	CLEAR
MATERIAL	PLEXIGLAS OR SIMILAR
FINISH	

DRAWN	NAME	DATE
CHECKED	M. Pica	
ENG APPR.		
MFG APPR.		
Q.A.		

**Xi-Fi** eXcessive Fidelity USA

TITLE:  
**MOBO PLATFORM**

SIZE	DWG. NO.	REV
	<b>Mobo PlatformB</b>	
SCALE: 1:1	WEIGHT:	SHEET 2 OF 2